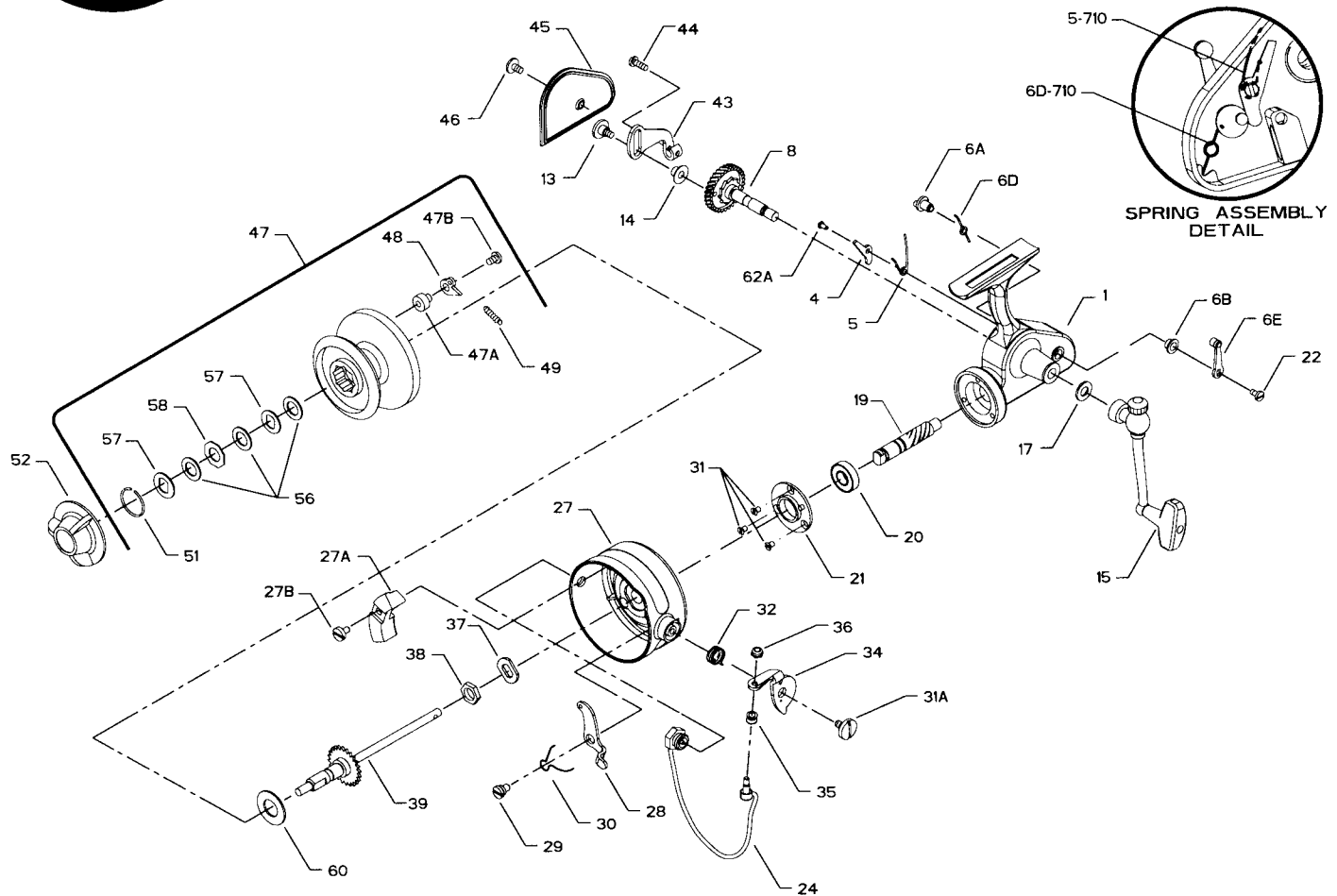




# PARTS AND PRICE LIST FOR MODEL 710Z AND 711Z



Key No.	Part No.	Description	Price	Key No.	Part No.	Description	Price
1	*1-710Z	Housing w/Bushing	\$13.05	31A	31-710	Bail Screw	\$1.0
4	4-710	Dog	.80	32	32-710	Bail Spring	.9
5	*5-710	Dog Spring	.40	34	34-710	Bail Arm	2.3
6A	*6A-710	Eccentric	1.10	35	35-720	Line Roller	2.2
6B	6B-700Z	Eccentric Liner	.40	36	36-700	Bail Lock Nut	.8
6D	6D-710	Eccentric Spring	.45	37	37-710	Rotor Cup Washer	.4
6E	6E-710	Eccentric Lever	.80	38	38-710	Rotor Cup Nut	.5
8	*8-710	Main Gear w/Ratchet	8.80	39	39-710	Spool Shaft	5.1
13	13-710	Crosswind Screw	.80	43	*43-710	Crosswind Block	1.8
14	14-710	Crosswind Roller	.45	44	44-710	Crosswind Screw	.4
15	*15-710Z	Handle (Complete)	7.50	45	*45-710Z	Housing Cover	2.3
17	17-710	Handle Washer	.50	46	46-710	Housing Cover Screw	.8
19	19-710	Pinion Gear	8.10	47	47-710Z	Spool (Complete)	13.5
20	20-704	Pinion Bearing	16.00	47A	47A-710	Click Bushing	.4
21	21-710	Bearing Retainer	2.10	47B	47B-710	Click Screw	.4
22	22-109	Eccentric Screw	.50	48	48-710	Click Tongue	.4
24	24N-710	Bail Wire	6.35	49	49-710	Click Spring	.4
27	27N-710Z	Rotor Cup	10.15	51	51-710	Retaining Spring	.4
27A	27AN-710	Counterweight	1.10	52	52-710Z	Drag Knob	3.2
27B	27B-710	Screw	.40	56	56-710	Drag Washer-HT100 (3 req.)	.7
28	28-710	Bail Release Arm	1.60	57	57-710	Metal Keyed Washer (2 req.)	.4
29	29-710	Bail Release Screw	.50	58	58-710	Metal Washer (Octagon)	.4
30	30-710	Bail Release Spring	.45	60	60-710	Thrust Washer (Teflon®)	.7
31	31-19	Bearing Cover Screw (3 req.)	.40	62A	62A-716	Dog Screw	.4

\*For 711Z model order these parts with model suffix (i.e. 1-711Z Housing with Bushing)  
 Prices and specifications subject to change without notice.